



# Econo Floss®

Model No. 3017-01-000



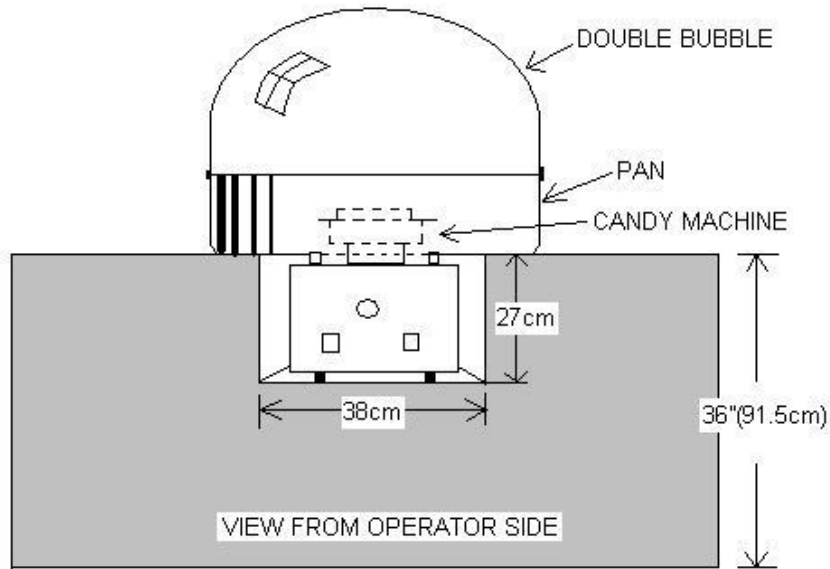
Electrical Specifications: 230V 50Hz, 1248 Watts, 13 Amps Plug.

Features: *The reliable Econo Floss with metallic floss bowl (aluminum) is our lowest priced UL listed cotton candy machine. This durable machine has an extra heavy-duty motor, plus solid state, cool-running heat control. Four carbon brushes help reduce wear and tear on the brass slip rings. Discover sweet cotton candy profits with the world famous Gold Medal Econo Floss cotton candy machine. Includes whirl grip stabilizer.*

*Double floss bubble is NOT INCLUDED but recommended to prevent cotton candy from flying out of the pan.*



Placement:



3017SX CANDY MACHINE ON COUNTER

Dimensions:

